



GS500 Linear Scale Technical

Part No: GS500 Series
Doc V: 1.1

- GS500 Slim scale for small and confined mounting spaces including the lathe cross slide and smaller milling machines.
- 70 to 570mm reading lengths available.
- Slim profile design.
- Accuracy test report included.
- Mounting bolt kit included.
- Cover options available.
- 2 year Warranty.



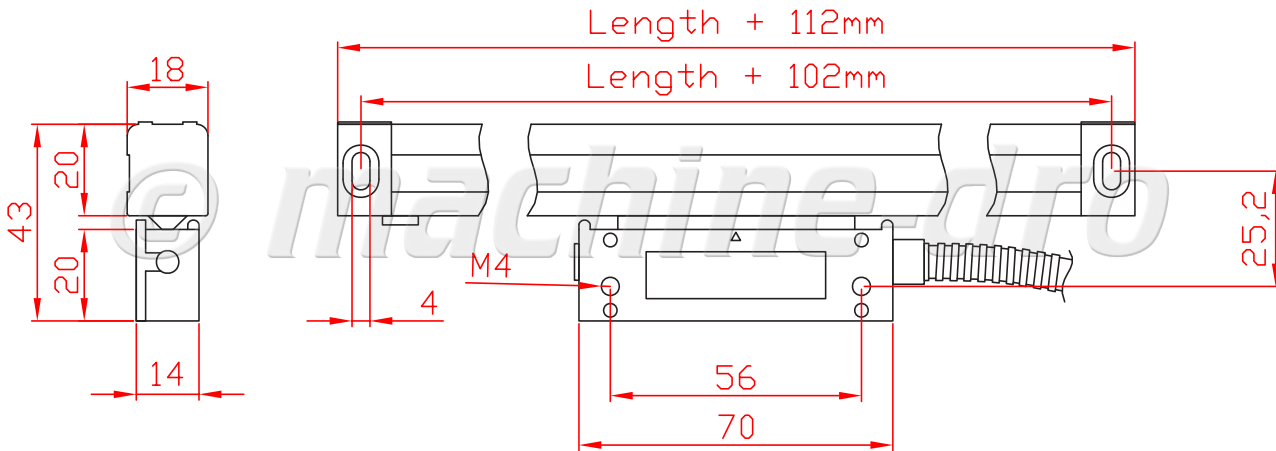
GS500 Slim Linear Scales

Technical Specifications

Specifications							
Encoder type	Optical (Glass)						
Resolution	5 micron (other resolutions also available, please contact us for details)						
Accuracy (@20°C)	<table border="0"> <tr> <td>0~200mm</td> <td>±0.005mm</td> </tr> <tr> <td>201~520mm</td> <td>±0.008mm</td> </tr> <tr> <td>521~570mm</td> <td>±0.010mm</td> </tr> </table>	0~200mm	±0.005mm	201~520mm	±0.008mm	521~570mm	±0.010mm
0~200mm	±0.005mm						
201~520mm	±0.008mm						
521~570mm	±0.010mm						
Grating Period	20µm						
Maximum reading speed	60 metres per minute						
Cable length	3 metres flexible armored						
Scale length requirement	Reading length +106mm						
Protection class	IP53 (when installed as per instructions)						
Output Signal	5 volt TTL Quadrature						
Reference mark	Every 50mm						
Working temperature	0 ~ 50°C						
Storage temperature	-20 ~ 70°C						
Relative Humidity	20% to 85% Non-condensing						



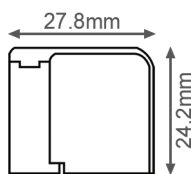
Dimensions



GS500 Scale Lengths

Model Number	Reading Length		Mounting Holes		Overall Length	
	mm	inch	mm	inch	mm	inch
GS500-70	70	2 3/4	172	-	182	7 1/8
GS500-120	120	4 3/4	222	-	232	9 1/8
GS500-170	170	6 3/4	272	-	282	11 1/8
GS500-220	220	8 5/8	322	-	332	13
GS500-270	270	10 5/8	372	-	382	15 1/16
GS500-320	320	12 5/8	422	-	432	17
GS500-370	370	14 9/16	472	-	482	19
GS500-420	420	16 1/2	522	-	532	21
GS500-470	470	18 1/2	572	-	582	22 7/8
GS500-520	520	20 1/2	622	-	632	24 7/8
GS500-570	570	22 7/16	672	-	682	26 7/8

Optional Protective Covers



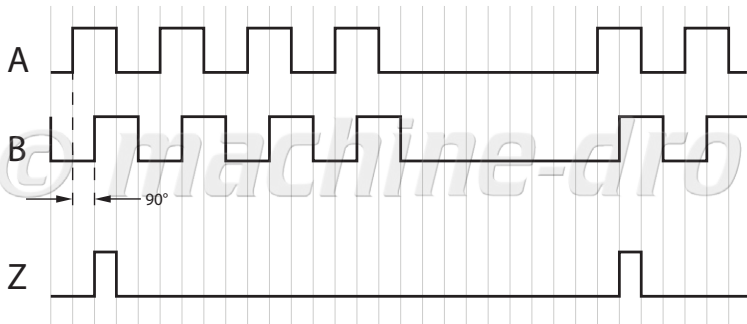
D-type cover for GS500 linear scales;

- Slim two part cover.
- Backing beam is mounted to machine first.
- Simplifies scale mounting.
- Removable outer cover.
- Additional protection from coolant and knocks.





Output Signal



- Fitted with 9 pin male D type connector for encoder input.
- For encoder compatibility please check compatibility chart datasheet.

	Pin 1	Pin 2	Pin 3	Pin 4	Pin 5	Pin 6	Pin 7	Pin 8	Pin 9
Signal	N/C	0v	N/C	Screen	N/C	A	+5v	B	Z

